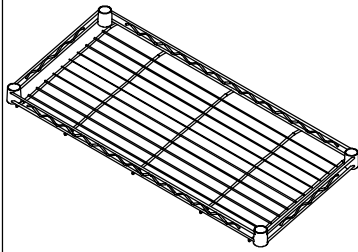
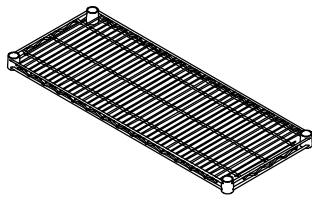


ASSEMBLY INSTRUCTIONS

CONTENTS:



A x 3 / A x 4



B x 1



C x 4

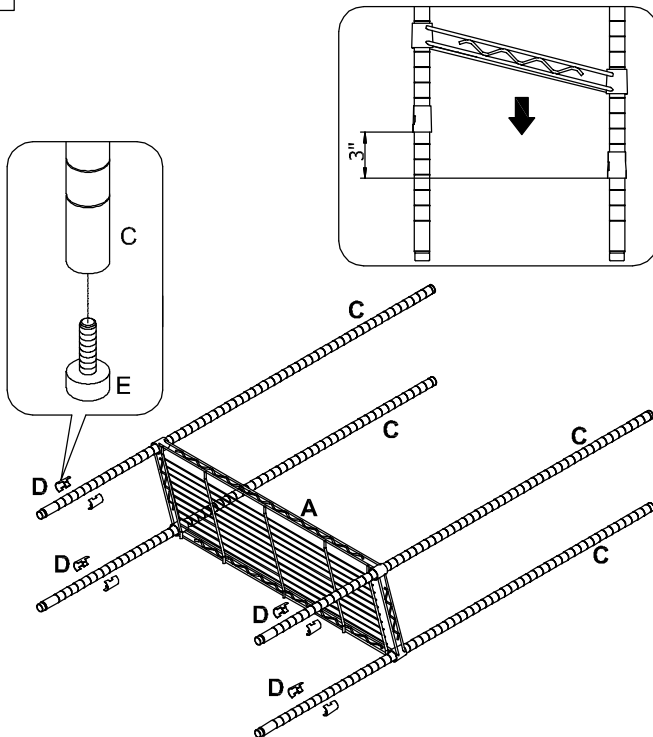


D x 16 / D x 20

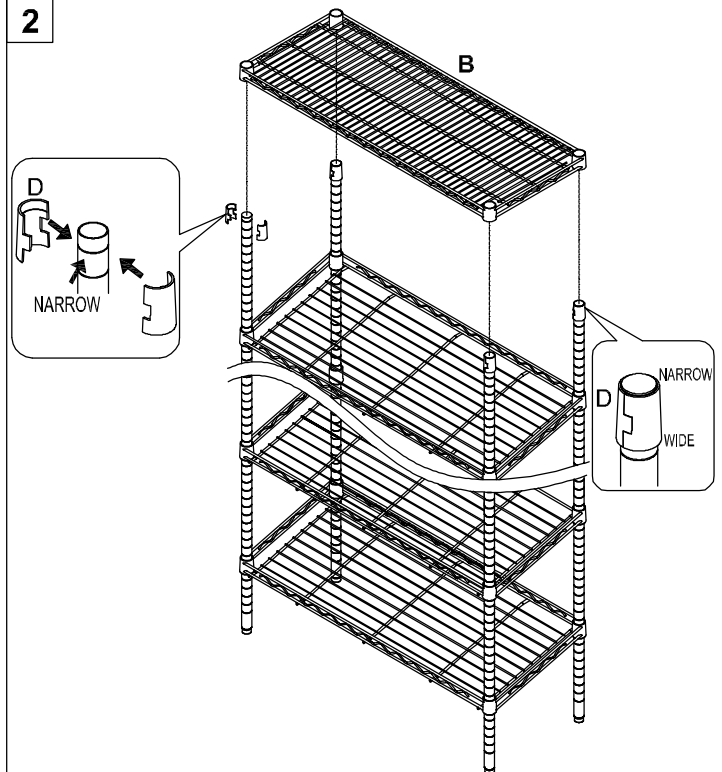


E x 4

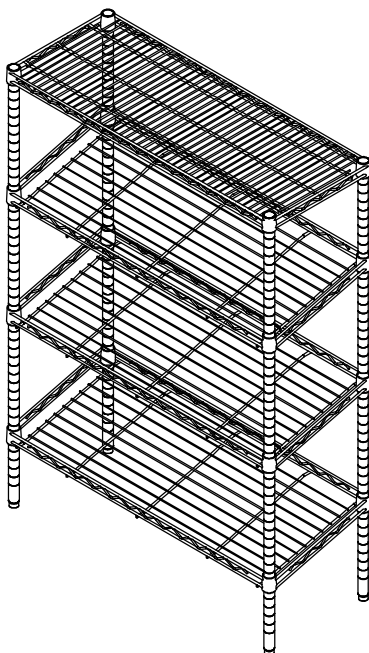
1



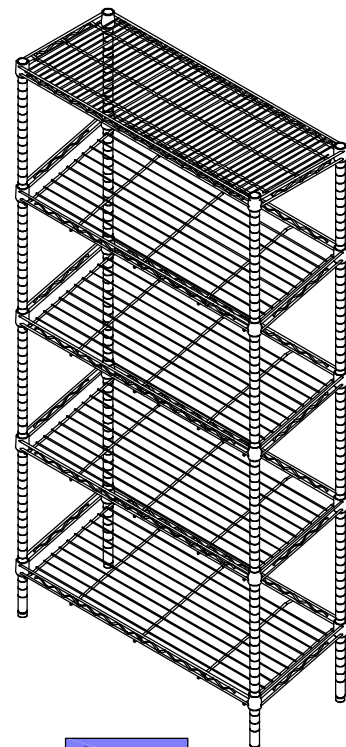
2



Finish



Option 1



Option 2