

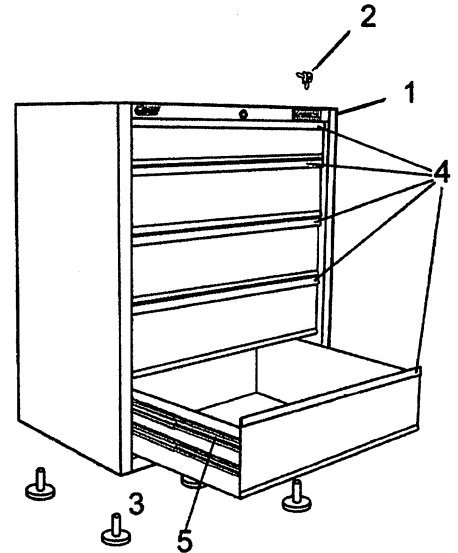
Service phone number:

TXBD

326233

5 DRAWER ROLLING CABINET 76cm (30")

#	PART NO.	DESCRIPTION
1.	G100001	BADGE
2.	G100005	LOCK SET
3.	G100101	LEVELER SET (4 EA.)
4.	G100102	DRAWER TRIM (EA.)
5.	G100103	DRAWER SLIDE SET (2 EA.)



NOTE:

1. ALL UNNUMBERED PARTS ARE INTERCHANGEABLE WITH THE OPPOSITE SIDE.
2. REPLACEMENT KEYS MAY BE ORDERED USING THE CODE WHICH APPEARS ON THE FACE OF THE LOCK.

SAFETY WARNINGS AND CAUTIONS:

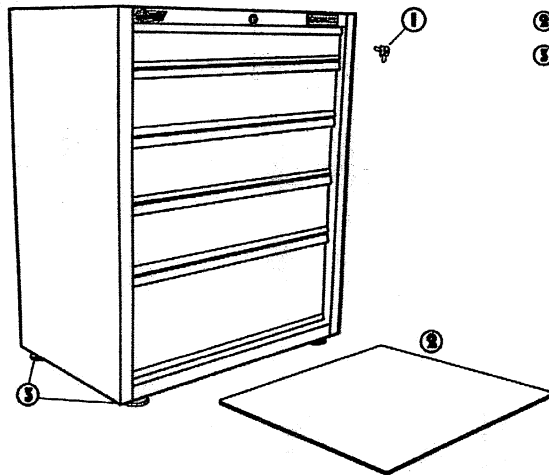
We have provided many important safety messages in this manual and on the product. Always read and obey all safety messages



- **WEAR SAFETY GLASSES AND GLOVES** when removing strapping and packaging materials. Straps can snap when removed causing personal injury.
- **DO NOT** tow this product with moving equipment or vehicles as this may cause product to tip, causing personal injury or product damage.
- **DO NOT** step in drawers or on top of unit as this may cause the product to tip. This may cause personal injury.
- **DO NOT** use the product on uneven surfaces or inclines as this may cause the product to tip or become unstable resulting in possible personal injury or product damage.
- **Maximum weight limit** is 45 kg (100 lbs) for the drawer.
- **Maximum weight limit** is 225 kg (496 lbs) for the cabinet.

Tools and Parts

Parts Supplied:



- ① Key (2)
- ② Drawer liner (5)
- ③ Adjustable leveler (4)

Unpack the Cabinet



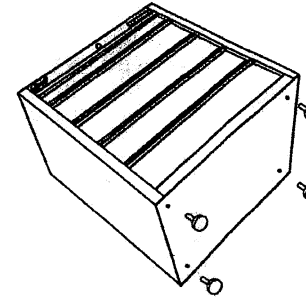
WARNING Excessive Weight Hazard

Use two or more people to move, assemble and install cabinet. Failure to do so may result in personal injury.

- 1 Close and lock the drawers. Remove the key.
NOTE Make sure all drawers are firmly closed and locked. Using two or more people, turn the cabinet back side down. Use the packaging material to protect the paint finish.

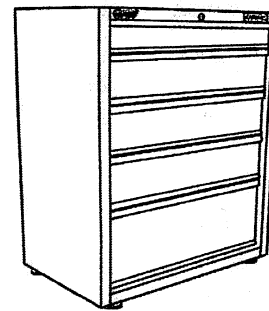
Assembly

2



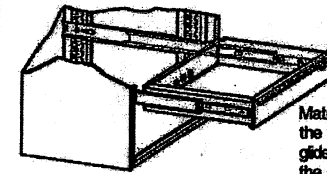
Attach the 4 adjustable levelers (NO. 3) to the bottom of the cabinet.

3



Put the cabinet to its upright position. Place the liners in the drawers.

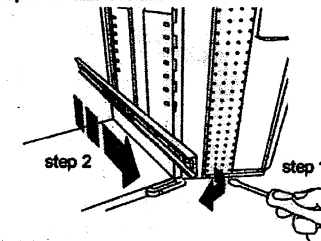
Installing the drawer



Match the edges of the drawer to the guides and push it into the slides until the drawer stops.

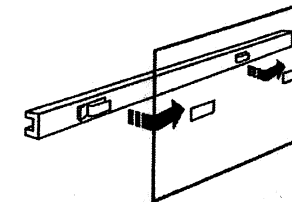
Removing the slide

Remove the drawer (follow the drawer-removal procedure). Turn the right side to the left (or left side to the right) and hold. Lift the front of the slide set using a screwdriver to release the hooks. Then pull the slide set out.



Installing the slide

Place the slide in the appropriate position, then push the slide set down to the two lock tabs on the side of the cabinet.



OPERATION

Removing the drawer

Empty the drawer first, and fully extend drawer. Press the lever down on the right-hand track and lift the lever up on the left track to release the drawer.

