




# Guide to Assembly & Usage

## Multi Position Sheet Platform Truck


**Information**  
If in doubt, contact the supplier


 Read this Guide thoroughly before commencing assembly & retain for future reference

 Before commencing assembly, unpack carefully & check that all components ordered are included

 Tools – 17mm spanner or ratchet, rubber mallet

**Caution**  
During assembly, ensure to:


 Take care during assembly & in use, particularly when lifting or stretching & when using tools


 Assemble & locate for use on a suitable level floor surface. Allow adequate working space


 Wear appropriate safety clothing – protective gloves & footwear are recommended


 Dispose of packaging materials responsibly

**Warning**  
Rules for the safe use of trolleys:

 Ensure these instructions are retained for reference & that users are aware of the rules for safe use








 NEVER CLIMB ON THE STRUCTURE OR STAND ON THE TROLLEY

 This product is designed for hand loading only

 ENSURE THAT THE MAXIMUM LOAD CARRYING CAPACITIES ARE NOT EXCEEDED



UDL = Uniformly Distributed Load

COMPONENT CHECK LIST			
Component		Quantity	Code
Base		1	WPR BASE
End Beam		2	SP-WPR2EB
Bolt		4	SP-WPR2BOLT
Washer		4	SP-WPR2WASH
320 Rail		1	SP-WPR2R3
630 Rail		1	SP-WPR2R6
930 Rail		1	SP-WPR2R9

WEIGHT CAPACITY	In the vertical
WPR2	500kg UDL

If you have any missing components please take note of the part name, colour and code and contact your supplier

# Assembly - Multi Position Sheet Platform Truck

1

Insert an end beam into the holes at the end of the base



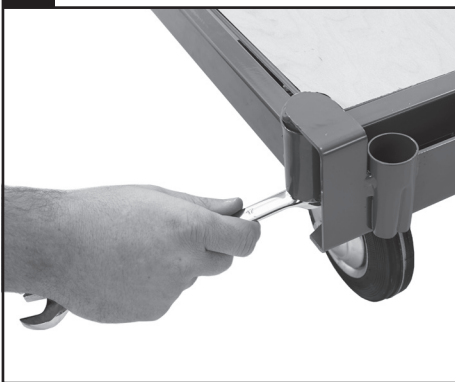
2

Secure the end beam by fitting a bolt and washer to each corner



3

Tighten using a 17mm spanner



4

Repeat steps 1-3 with the other end beam



5

Fit a rail into its selected location



6

Tap down using a rubber mallet



7

Repeat with the remaining rails

