

Guide to Assembly & Usage

BiG340 Mobile Shelf Trolley

Information
If in doubt, contact the supplier

Read this guide thoroughly before commencing assembly and retain for future reference

Before commencing assembly, unpack carefully and check that all components ordered are included

Assembly should be undertaken by a minimum of two competent people

Tools – Large rubber mallet, spanners 10mm, 13mm and 15mm

Caution
During assembly, ensure to:

Take care during assembly and in use, particularly when lifting or stretching & when using tools

Wear appropriate clothing - protective gloves and footwear are recommended

Build on a suitable level floor, which is strong enough to support the load and allow adequate working space

Dispose of packaging materials responsibly

Warning
Rules for safe use of shelving:

Ensure these instructions are retained for reference and that users are aware of the rules for safe use

Never climb on the structure or stand on the shelving

Do not lean or support ladders, steps, or other objects against shelving

Always use safety steps to reach high shelves

Do not use in damp or wet conditions

Load heavy items on the lower shelves & lighter items on the higher shelves

This product is designed for hand loading only







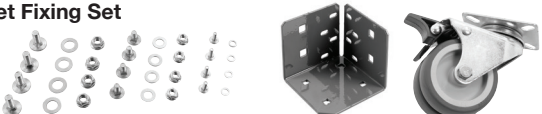
Ensure that the maximum load carrying capacities are not exceeded

Please refer to the loading information supplied for details



†UDL = Uniformly Distributed Load

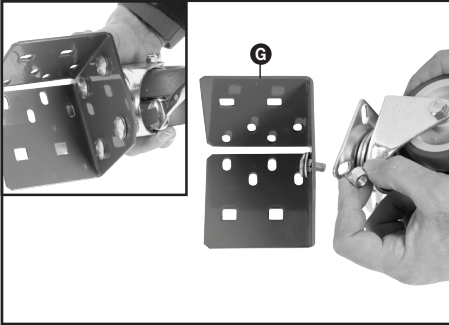
COMPONENT CHECK LIST

Component	Quantity
A Upright 	4
B Long 'C' Section Beam 	2
C Side 'C' Section Beam 	2
D Side Beam 	2 per shelf
E Front & Back Beam 	2 per shelf
F Chipboard Deck 	1 per shelf
G Castor & Bracket Fixing Set 	4

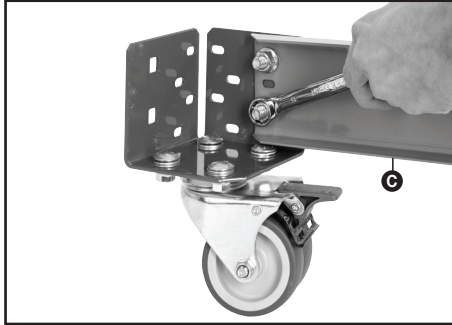
If you have any missing components please take note of the part name and contact your supplier

Assembly – BiG340 Mobile Shelf Trolley

- 1** Attach castors **G** to brackets using four M8 bolts and nuts with a 13mm spanner, placing the M10 washers onto the bolt side of the fixing

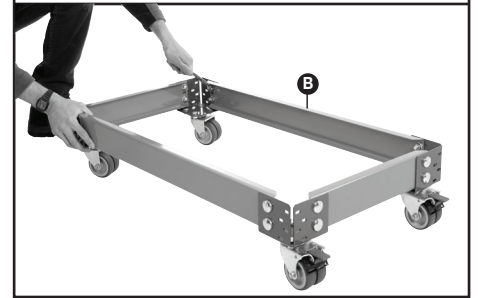


- 2** Attach a side 'C' section beam **C** to a bracket using two M10 bolts & nuts with a 15mm spanner, placing the M12 washer onto the bolt side of the fixing

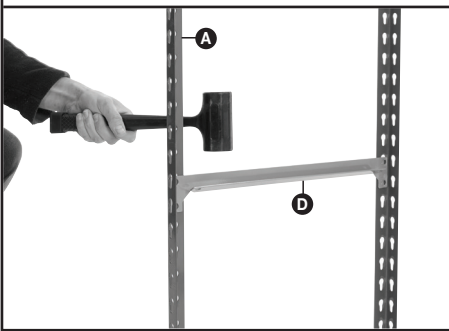


- 3** Continue joining side 'C' section beams **C** and long 'C' section beams **B** to brackets to complete base.

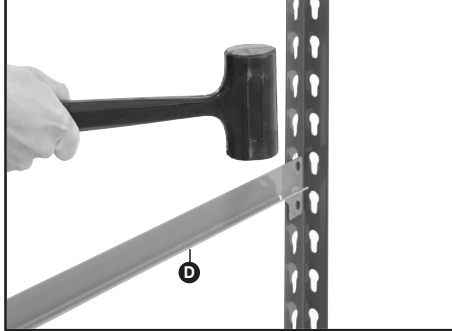
Tip: Ensure castors with brakes are located on same side



- 4** Select two uprights **A** and insert a short side beam **D** into the keyholes at the required height of the second shelf



- 5** Knock beam **D** with a rubber mallet to ensure the end studs are fully located in the bottom of the keyholes



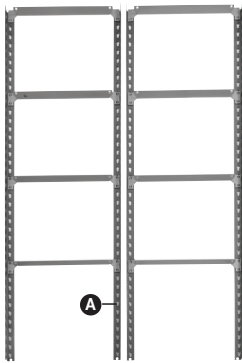
- 6** Repeat steps 5 and 6 until you have created a 'ladder style frame'

Tip: Now is a good time to check the space between beams suits the items you want to store on the shelves and adjust as required.

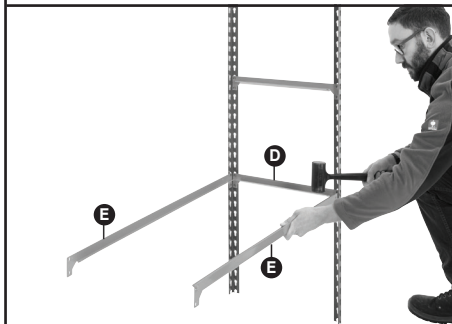


- 7** Select two more uprights **A** and repeat steps 4 to 6 until you have a second 'ladder style frame'

Tip: Use the first frame as a template to get the correct spacing



- 8** Take two long beams **E** and insert them into the keyholes on one frame at the same height as the short beams **D**. Knock into place with a rubber mallet



- 9** Insert the other ends of the beams **E** into the second frame as in step 8

Tip: Ask another person to hold the frames in place while you secure them



- 10** Repeat steps 8 and 9 to add remaining long beams **E**

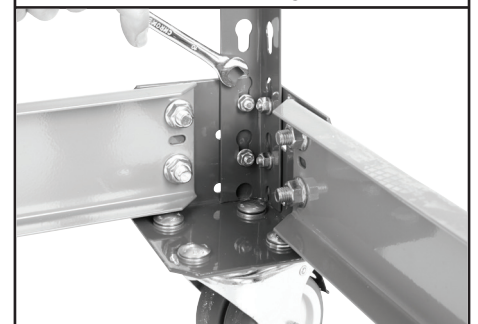


- 11** With help from a second person, lift the shelving frame and place onto the base

Tip: Ensure the castor brakes are on so that the base doesn't move around.



- 12** Secure an upright **A** to a bracket using four M6 bolts and nuts with a 10mm spanner, placing the M6 washers onto the nut side of the fixing



Assembly – BiG340 Mobile Shelf Trolley

13 Repeat step 12 across all four uprights and brackets to secure the frame into place



14 Insert chipboard decks **F** into each level

Tip: Tilt each board to fit in between the uprights and then lay flat.



15 The trolley is now complete and ready to use



Loading information

BiG340 Mobile Shelf Trolley

These load charts relate to shelving layouts with the following specifications:

- Maximum post height = 1720mm
- Similar distances (height) between levels
- Trolleys are used on a flat level floor

For any other uses, please refer to your supplier for detailed loading capacities

Shelf load capacities

Maximum permitted shelf capacities are based on UDL[†]. Please note that the trolley capacity may limit the maximum load per shelf:

BiG340 Mobile Shelf Trolley	
Shelf Width mm	Load Capacity per shelf
915	340kg
1220	200kg
1525	100kg
BiG340 Mobile Shelf Trolley	
Maximum load per Trolley	300kg
Up to 1720mm high	

Capacities are common for all standard shelf depths.

IF YOU ARE IN ANY DOUBT REGARDING LOAD CAPACITIES, PLEASE CONTACT YOUR SUPPLIER

[†]UDL = Uniformly Distributed Load