

Guide to Assembly & Usage

BiG400 T Bar Workbench

Information
If in doubt, contact the supplier

Read these instructions thoroughly before commencing assembly & retain a copy for your reference

Inspect all packages for damage and check that all components ordered are included

Assembly should be undertaken by at least two competent people

Tools required – Tape measure and rubber mallet

Caution
During assembly:

Take care when handling heavy items, particularly when lifting or stretching

Wear appropriate safety clothing - protective gloves and footwear are recommended

Build on a suitable level floor surface which is strong enough to support the load

Allow adequate working space and be aware of others working around you

Dispose of packaging materials responsibly

Warning
Rules for safe use of workbenches:

Please retain these Instructions for reference and ensure that users understand the rules for safe use

NEVER CLIMB ON THE WORKBENCH

THIS PRODUCT IS DESIGNED FOR HAND LOADING ONLY

DO NOT USE IN DAMP OR WET ENVIRONMENTS

ENSURE THAT THE MAXIMUM LOAD CARRYING CAPACITIES ARE NOT EXCEEDED

PLEASE REFER TO THE LOADING CHART SUPPLIED FOR DETAILS

Workbenches are safe when used responsibly. If in doubt, contact the supplier



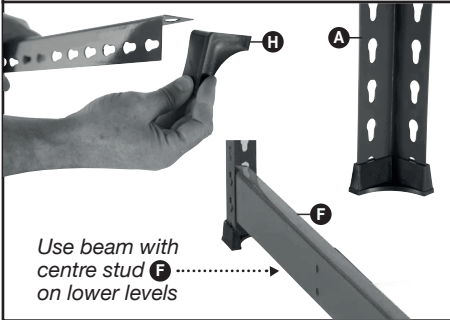
COMPONENT CHECK LIST

Component	Quantity
A Post	4
B Long Centre Foot Rest	1
C Long 'C' Section Beam	2
D Short Centre Support Beam	1
E Short 'L' Section Beam	2
F Short 'L' Section Beam with Centre Studs	2
G Chipboard Deck	1
H Plastic Foot	4
I Plastic Top Cap	4

If you have any missing components please take note of the part name and contact your supplier

Assembly - BiG400 T Bar Workbench

- 1** Select two posts **A** and push on plastic feet **H** to the bases. Insert a short side beam **F** into the keyholes at the lowest level required



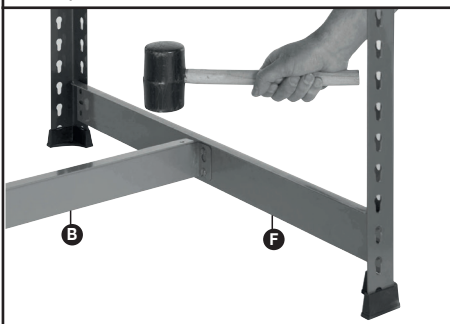
- 2** Tap beam **F** with a rubber mallet to ensure the end studs are fully located in the bottom of the keyholes



- 3** Add another beam **E** on the top level of the workbench to make a side frame. You can now use this as a template to create the second side frame



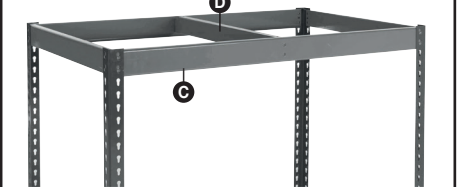
- 4** Take the long centre beam **B** and insert the keyholes on one frame at the centre of the bottom side beam **F**. Tap into place with a rubber mallet



- 5** Insert the other end of the beam into the second frame as in step 4



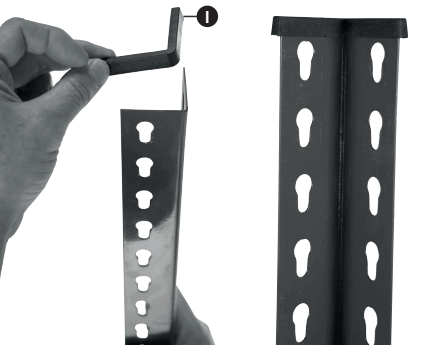
- 6** Insert the two long beams **C** into the keyholes and tap into place. Take the short centre beam **D** and locate in the middle of the two long beams. Tap onto place



- 7** Place the chipboard deck **G** onto the top beams and locate using the blue post tops as a guide



- 8** Push a plastic protective cap **I** onto each post top



- 9** Your workbench is now ready for use. Please refer to safety instructions before using



Loading information

BiG400 T Bar Workbench

These load charts relate to workbenches with the following specifications:

- Maximum post height = 915mm
- Single benches and multiple linked benches with a minimum of 2 levels per bay
- Similar distances (height) between levels
- Benches are positioned on a level floor

For any other layouts, please refer to your supplier for detailed loading capacities

Bench Load Capacities

The maximum load permitted is 400kg for T Bar benches. However, this is dependant on the maximum shelf load capacities as detailed below.

Shelf load capacities

Maximum permitted shelf capacities are based on uniformly distributed loads (UDL). Please note that the bench capacity may limit the maximum load per shelf:

Shelf width mm	Capacity with 15mm Chipboard decks
1220	400kg
1525	400kg
1830	400kg

Capacities are common for all standard shelf depths.

IF YOU ARE IN ANY DOUBT REGARDING LOAD CAPACITIES, PLEASE CONTACT YOUR SUPPLIER

Note: Illustrations not to scale