

Guide to Assembly & Usage

BiG400 Garage Space Saver

Information
If in doubt, please contact your supplier

Please read these Instructions thoroughly before starting assembly & retain a copy for your reference

Inspect all packages for damage and check that all components ordered are included

Assembly should be undertaken by at least two competent people

Tools required – Rubber faced mallet, 10mm spanner, Drill bits, Spirit level, Screw Driver

Caution
During assembly:

Take care when handling heavy items, particularly when lifting or stretching

Wear appropriate safety clothing - protective gloves and footwear are recommended

Build on a suitable level floor surface, which is strong enough to support the load

Allow adequate working space and be aware of others working around you

Dispose of packaging materials responsibly

Warning
Rules for safe use of shelving:

Please retain these Instructions for reference and ensure that users understand the rules for safe use

Racks should be securely fixed to both the floor & wall to ensure stability

NEVER CLIMB ON THE SHELVING

THIS PRODUCT IS DESIGNED FOR HAND LOADING ONLY

DO NOT USE IN DAMP OR WET ENVIRONMENTS

ENSURE THAT THE MAXIMUM LOAD CARRYING CAPACITIES ARE NOT EXCEEDED

PLEASE REFER TO THE LOADING CHART SUPPLIED FOR DETAILS

Shelving is safe when used responsibly. If in doubt, contact the supplier



COMPONENT CHECK LIST

| Component | Quantity |
|----------------------------------|----------|
| A Uprights | 4 |
| B Side Beams | 8 |
| C Front/Rear Beams | 7 |
| D Centre Support Beams | 3 |
| E Chipboard Joiners | 6 |
| F Chipboard Decks | 6 |
| G Shims | 4 |
| H RG Floor Fixing | 4 |
| I Metal Feet | 4 |
| J Wall Ties | 2 |
| K Metal Feet Fixing Kit | 4 |
| L 8x40 Plugs & Screws | 4 |
| M M8 Washer | 4 |

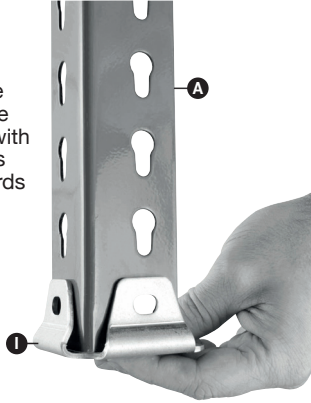
Tip: Beams are stamped on one end with the nominal length in inches (e.g. LPE18 for 18"). This can be used as an additional identification method if required.

If you have any missing components please take note of the part name and contact your supplier

Assembly - BiG400 Garage Space Saver

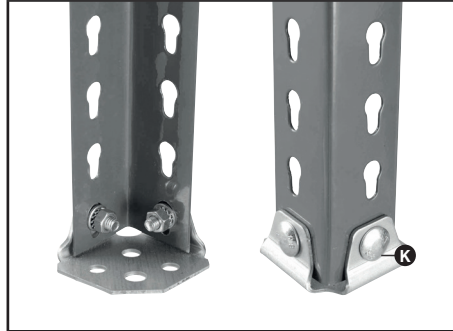
1

Fit the metal feet **1** to the bottom of the uprights **A** with the key holes facing upwards



2

Secure the metal feet to the uprights with 2x round headed bolts, fitting the nuts and washers to the inside **K**



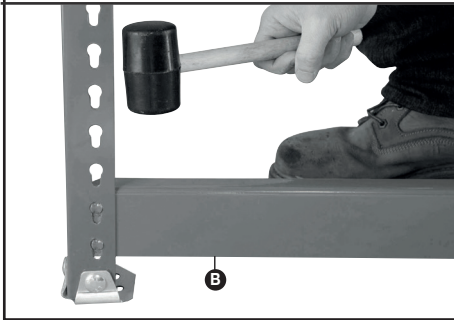
3

Measure the height of your bonnet



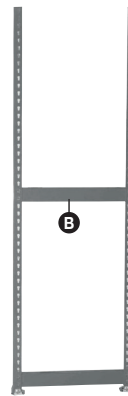
4

Build a side frame starting at the bottom by inserting the lugs of the side beam **B** into the keyholes and tapping down with a rubber mallet



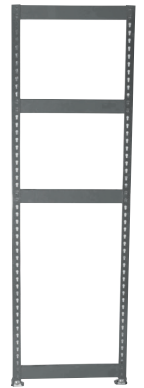
5

Fit the second beam the same way but with enough clearance to fit your car bonnet underneath



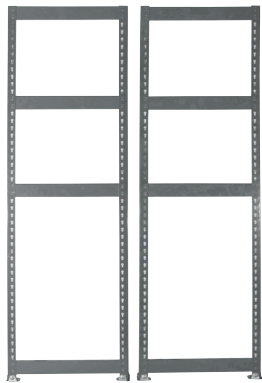
6

Repeat finishing at the top of the upright



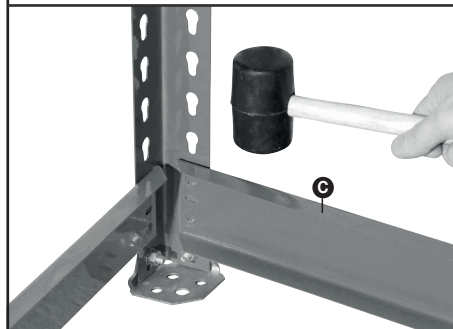
7

Using the first frame as a template, repeat with the second frame



8

Starting at the rear fit the front/rear beams **C** between the frames at the lowest level alongside the side frame beams



9

Repeat with the other beams first on the rear of the rack **C**



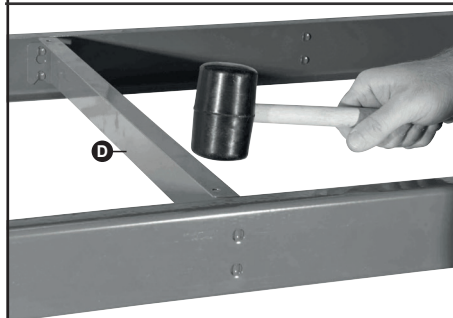
10

Then repeat step 9 on the front of the rack missing out the lowest level



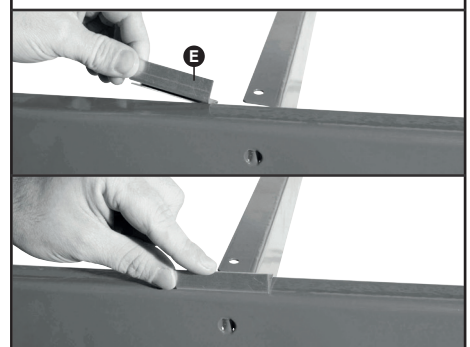
11

On all shelf levels fit a centre support beam **D** at the centre point by inserting the lugs into the keyholes and tapping down with a rubber mallet

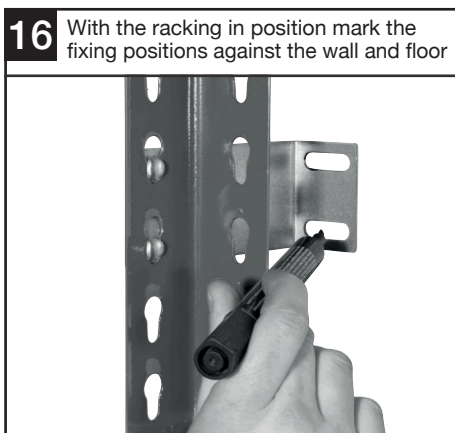
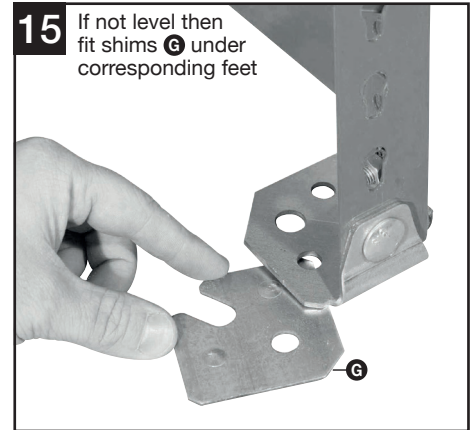
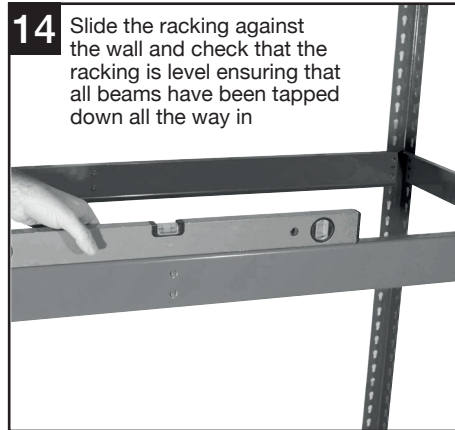
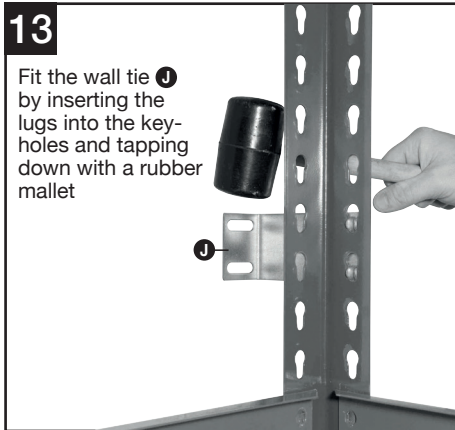


12

Slide the chipboard joiners **E** in line with the centre support beams on all front/rear beams



Assembly - BiG400 Garage Space Saver



Loading information

BiG400 Garage Space Saver

These load charts relate to shelving with the following specifications:

- 1830mm High
- 2134mm Wide
- 610mm Deep
- with lower level incomplete

For any other layouts, please refer to your supplier for detailed loading capacities

Shelf Load Capacities

The maximum load permitted is 1000 kg. Maximum permitted shelf capacities are based on uniformly distributed loads (UDL). Please note that the above bay capacity may limit the maximum load per bay:

| Shelf width mm | Capacity with 15mm Chipboard decks |
|----------------|------------------------------------|
| 2134 | 400kg |

Capacities are common for all standard shelf depths.

IF YOU ARE IN ANY DOUBT REGARDING LOAD CAPACITIES, PLEASE CONTACT YOUR SUPPLIER

Accessories



If bought with plastic boxes please ensure to leave adequate height

Note: Illustrations not to scale

The information contained in this leaflet was accepted as correct at the date of publication. However, the manufacturer reserves the right to make any necessary changes, in line with the product development and improvement. Although all reasonable care has been taken to make it as complete and accurate as possible, no liability can be accepted for any inaccuracies or omissions.